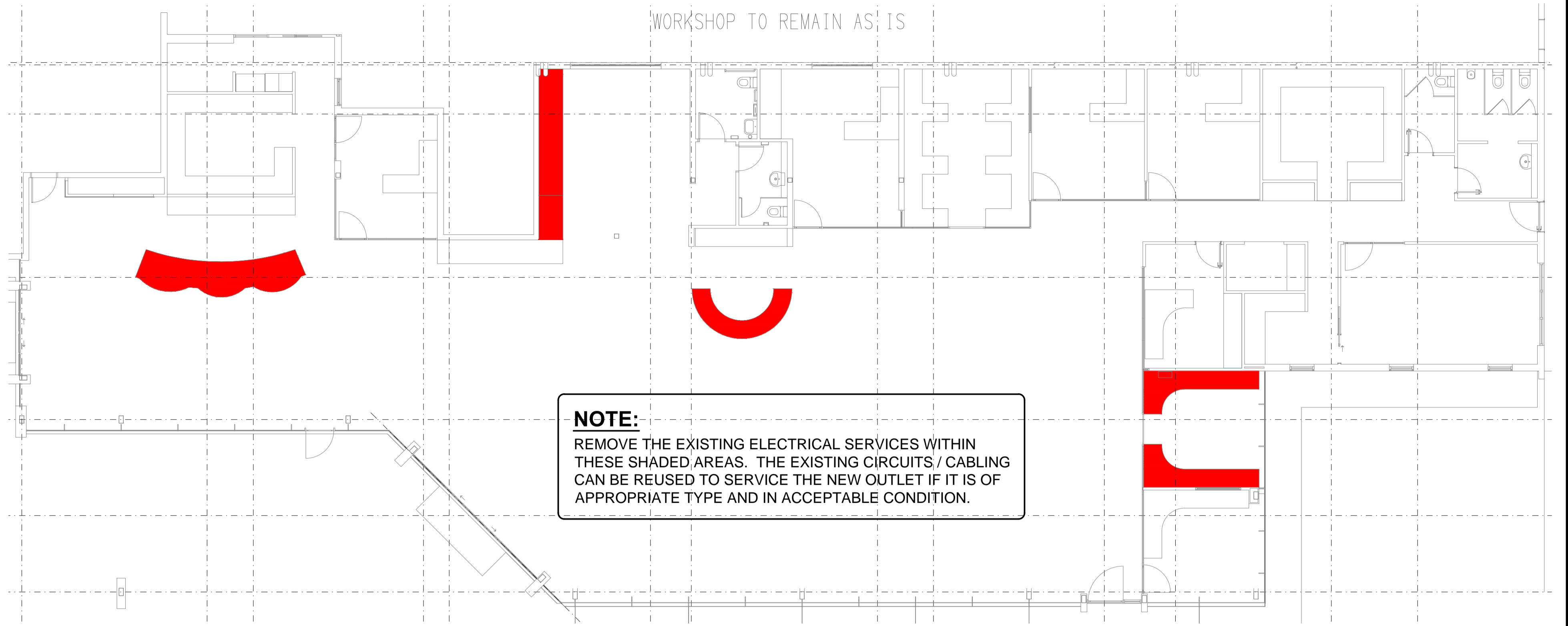


**LEGEND**

- ELECTRICAL SERVICES SWITCHBOARD.
- SWITCHBOARD BY OTHERS.
- SINGLE POWER OUTLET.
- DOUBLE POWER OUTLET.
- SIGNAGE OUTLET.
- SINGLE PHASE ISOLATOR.
- THREE PHASE ISOLATOR.
- ELECTRICAL CABLE TRAY AS NOTED.
- CONDUIT ROUTE.
- LIGHTING PRESENCE DETECTOR SWITCH.
- ONE-WAY LIGHT SWITCH.
- TWO-WAY LIGHT SWITCH.
- MULTIGANG SWITCHPANEL.
- CIRCUIT LINE.
- SWITCH LINE.
- POWER CIRCUIT DESIGNATION. DENOTES DB AND CIRCUIT.
- MAIN DISTRIBUTION FRAME.
- ELECTRICAL EQUIPMENT AS NOTED.
- RJ45 COMMUNICATIONS OUTLET.
- FLUSH RECESSED TRAFFICABLE FLOOR BOX.
- EXISTING POWER OUTLET TO BE PROVIDED WITH A NEW FACEPLATE.
- EXISTING COMMUNICATIONS OUTLET TO BE PROVIDED WITH A NEW FACEPLATE.
- FIRE INDICATOR PANEL.
- SMOKE DETECTOR.
- THERMAL DETECTOR.
- ALERT AND EVACUATION SPEAKER.
- BACKGROUND MUSIC SPEAKER.
- INTRUDER DETECTION SENSOR.

**LEGEND**

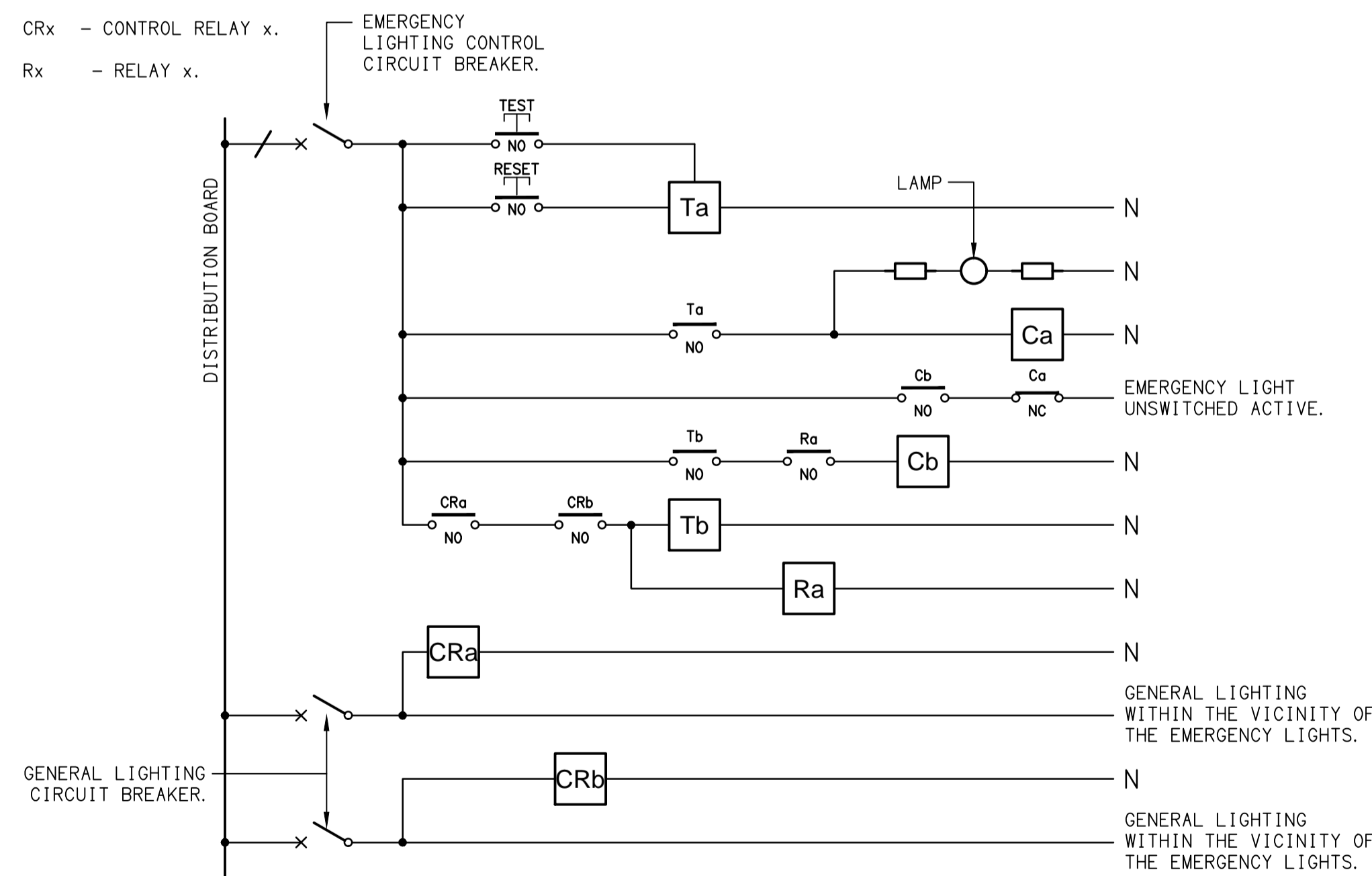
- E1: GENERAL LED EMERGENCY LIGHT.
- EX: EMERGENCY LED EXIT LIGHT.
- Lx: LIGHT FITTING C/W NON-MAINTAINED EMERGENCY BATTERY PACK. TYPE AS NOTED.
- L1: SUSPENDED 100 WIDE X 150 HIGH OPAL DIFFUSED LED EXTRUSION.
- L2: LED PELMET ABOVE THE CEILING FEATURE.
- L3: SUSPENDED LED BACKLIT OPAL CEILING FEATURE.
- L4: 600 X 600 TBAR LED FLAT PANEL TROFFER.
- L5: ADJUSTABLE MULTI HEAD RECESSED LED DOWNLIGHT.
- L6: ADJUSTABLE MULTI HEAD RECESSED LED DOWNLIGHT.
- L7: ADJUSTABLE MULTI HEAD RECESSED LED DOWNLIGHT.
- L8: DECORATIVE PENDANT.
- L9: LED STRIP C/W OPAL DIFFUSER RUN VERTICALLY WITHIN THE JOINERY.
- L10: LED STRIP C/W OPAL DIFFUSER RUN HORIZONTALLY WITHIN THE JOINERY.
- L11: ADJUSTABLE RECESSED LED DOWNLIGHT.
- L12: RECESSED LED DOWNLIGHT.
- L13: RECESSED LED DOWNLIGHT.
- L14: 600 X 600 RECESSED PLASTER BOARD LED FLAT PANEL TROFFER.
- L15: RECESSED LED DOWNLIGHT.
- L16: REPLACE THE EXISTING TROFFER WITH 600 X 600 TBAR LED FLAT PANEL TROFFER.
- L17: REPLACE THE EXISTING RECESSED DOWNLIGHT WITH A RECESSED LED DOWNLIGHT.
- L18: RECESSED LED DOWNLIGHT.



**EXISTING PLAN**  
ELECTRICAL DEMOLITION WORKS  
SCALE 1: 100

**EQUIPMENT:**

- TEST - TEST PUSH BUTTON MOUNTED ON THE DISTRIBUTION BOARD ESCUTCHEON.
- RESET - RESET PUSH BUTTON MOUNTED ON THE DISTRIBUTION BOARD ESCUTCHEON.
- LAMP - AMBER TEST INDICATING LAMP MOUNTED ON THE DISTRIBUTION BOARD ESCUTCHEON.
- Ta - ADJUSTABLE 0-3 HOUR TIMED RELAY.
- Tb - 15 MINUTE RUN-ON TIMER TO OPERATE UPON THE RETURN OF MAINS POWER.
- Cx - CONTACTOR x.
- CRx - CONTROL RELAY x.
- Rx - RELAY x.

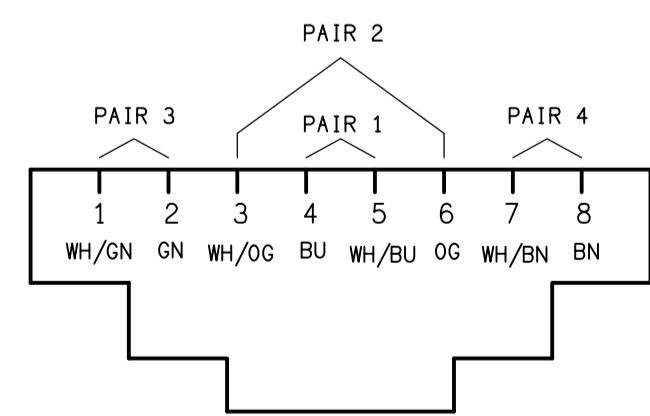


**NOTES**

1. THE EMERGENCY LIGHT UNSWITCHED ACTIVE / GENERAL LIGHTING SWITCHED ACTIVE CIRCUIT ARRANGEMENT AND CONTROL IS TYPICAL FOR ALL CIRCUITS SUPPLYING EMERGENCY LIGHTS.
2. PROVIDE ADDITIONAL CONTROL RELAYS (CRx) CONFIGURED AS PER CRa AND CRb FOR ALL ADDITIONAL LIGHTING CIRCUITS THAT SUPPLY LIGHTS IN THE VICINITY OF THE EMERGENCY LIGHTS.

**NOTE**

ALL ELECTRICAL PENETRATIONS THROUGH THE ROOF SHEETING ARE TO BE IN LINE WITH THE STRUCTURAL OR MECHANICAL SERVICES PENETRATIONS TO AVOID DEDICATED FLASHINGS FOR THE ELECTRICAL SERVICES.



**SCHEMATIC**  
RJ45 PINOUT CONFIGURATION  
NOT TO SCALE